

# STRIP FLEX WATER Line



## Mod. **S-FLEX** **IP68 - 69K**

Flexible LED strip IP68 - IP69K for permanent immersion use specifically for decorative or functional lighting of swimming pools, fountains, SPAs, Saunas, Various urban planning, etc.  
Available with transparent or opal finish.

### COLORS AVAILABLE

- Single Color White (2700° - 6500°K) , Red, Green, Blue
- CCT, RGB, RGB+W, RGB+WW, Pixel / Dynamics

### MECHANICAL DIMENSIONS

Width: 10 mm  
Height: 20 mm

### AVAILABLE LENGTHS

- Max 25m with power supply (only on one side)
- Max 50m with power supply (on both sides)

**WARNING: Strip Til Flex Water cannot be cut, sectioned or lengthened.**

**ALL OUR TIL FLEX WATER ARE RESISTANT TO CHLORINE, SALT, LIGHT SOLVENTS AND UV RAYS.**

	5-14 W	CHIP 36~1600	Vdc 12-24-48	 IP 68 - 69K
 2,7° - 6,5°K	RGB RGB+White			

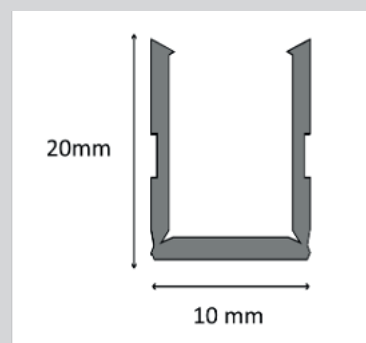
### Technical data

Voltage:	12 - 24 - 48 Volt DC
Power:	5 - 14 W
Class. IP:	IP68 - 69K
Body Material:	PVC
Filling:	Transparent or opal polyurethane resin
High efficiency LED light source	
Beam angle:	100°~120°
Dimmable:	Yes
Duration:	50 000h
Curvature:	Horizontal
Temperature:	-40° ~ +110°

### Also for permanent immersion use

#### Accessories on request:

- Outer casing INOX
- Clips INOX
- Management Systems



TILSYSTEMS SRL